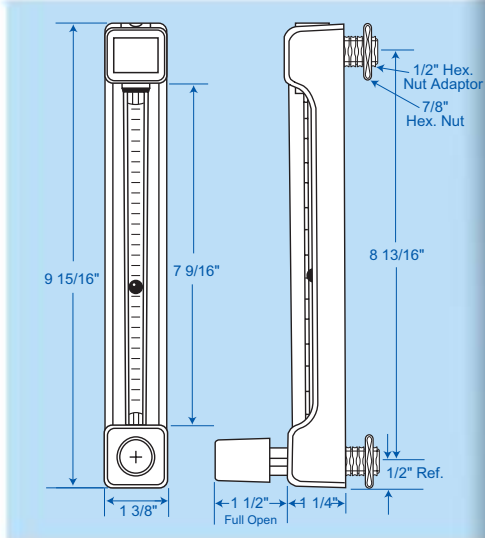


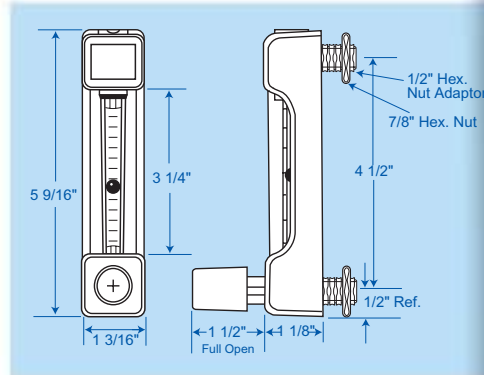
FLOWMETERS

the true measure of performance

Forged Body Flowmeters



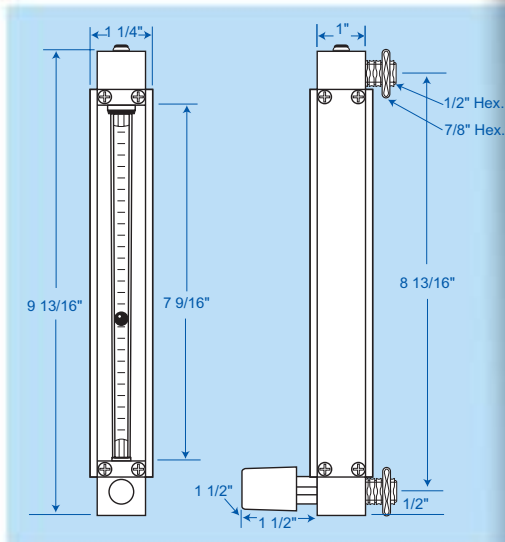
Model F150



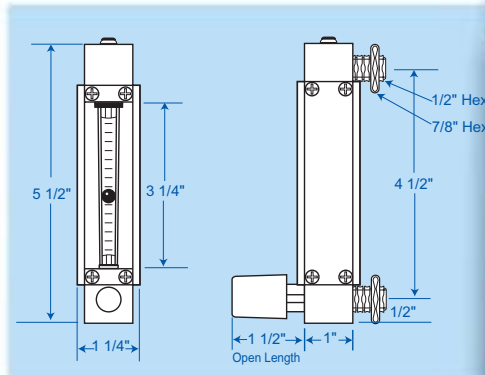
Model F65



Side Plate Flowmeters



Model 150



Model 65



The Porter Models F65 and F150 Forged Body Flowmeters feature a compact, one-piece, black anodized forged aluminum body with wraparound window for full 180° visibility of the flow tube. These units are available with aluminum, brass or 316 stainless steel wetted parts.

The Porter Models 65 and 150 Side Plate Constructed Flowmeters combine a traditional body style with innovative design features. They are available with aluminum, brass or 316 stainless steel wetted parts. Multi-tube (2 to 6 tube) versions are available with optional valves and manifold inlet/outlet ports.