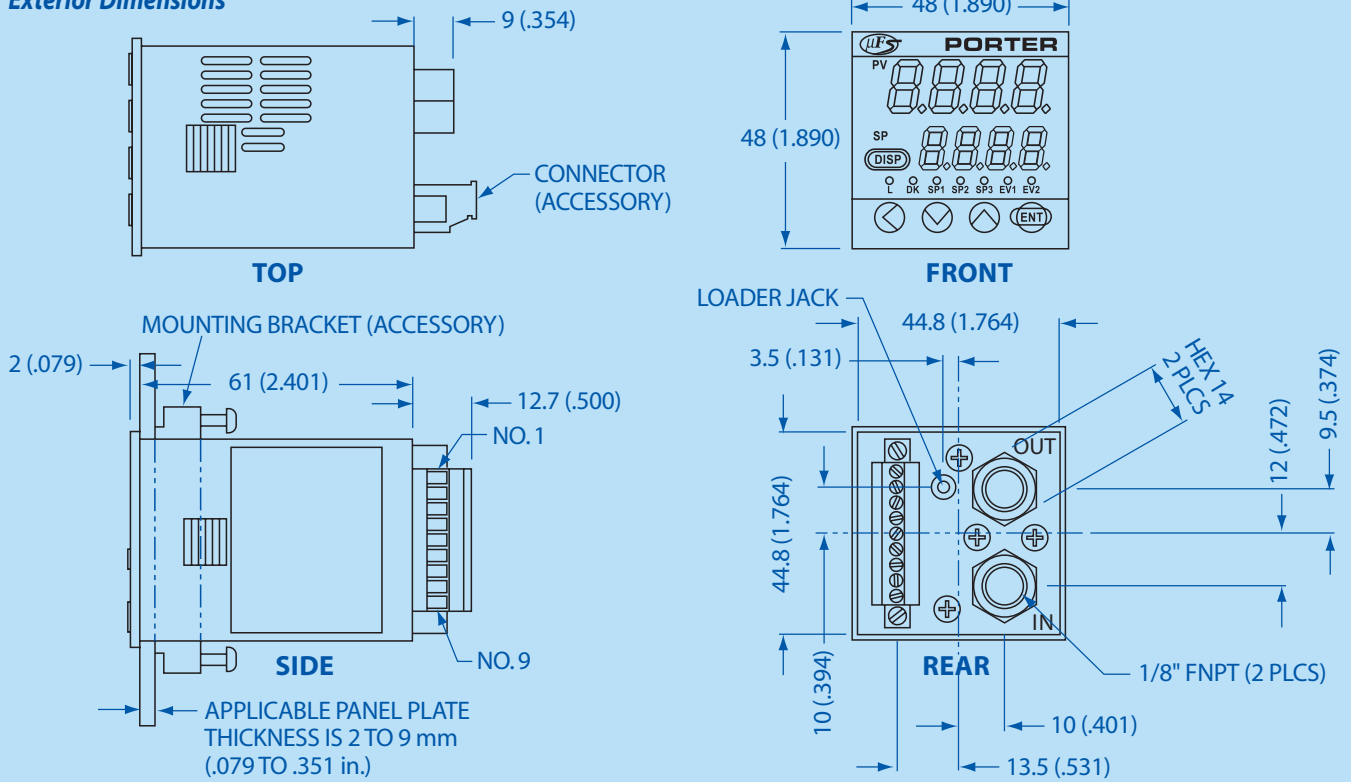
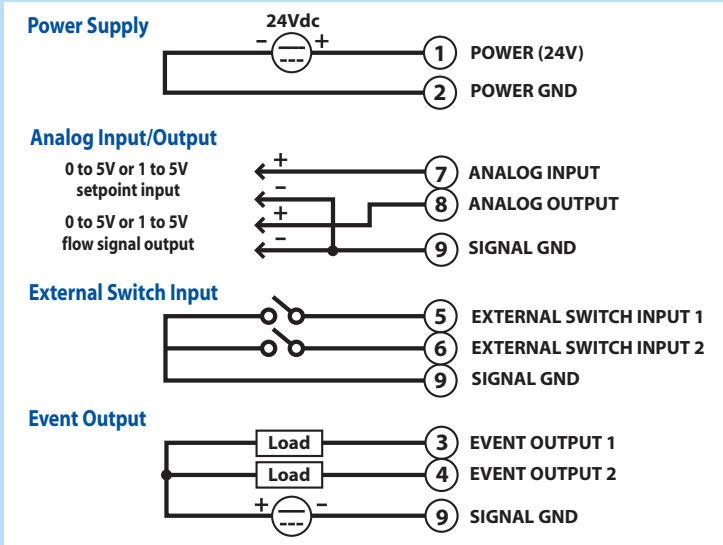


### Exterior Dimensions



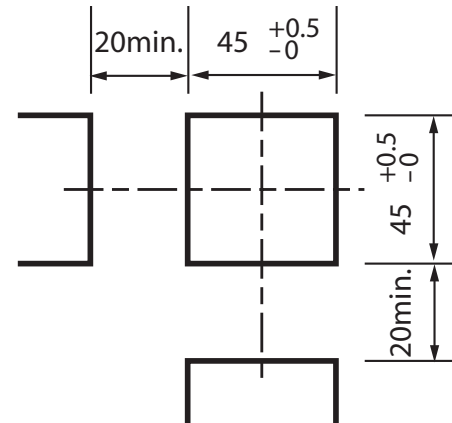
NOTE: Dimensions in parenthesis are inches

### Wiring



### Panel Cut-Out

Individual mounting



Specifications and dimensions subject to change.

### Control Flowrate Range (Table 1)

MODEL NUMBER	MPC95		MPC02		MPC05		MPC20	
	Flow Range (SLPM)	Setpoint/Display Resolution (SLPM)	Flow Range (SLPM)	Setpoint/Display Resolution (SLPM)	Flow Range (SLPM)	Setpoint/Display Resolution (SLPM)	Flow Range (SLPM)	Setpoint/Display Resolution (SLPM)
Nitrogen/Air	0.020 to 0.500	0.002	0.08 to 2.00	0.01	0.10 to 5.00	0.02	0.4 to 20.0	0.1
Argon	0.020 to 0.500	0.002	0.08 to 2.00	0.01	0.10 to 5.00	0.02	0.4 to 20.0	0.1
Carbon Dioxide	0.012 to 0.300	0.001	0.040 to 1.200	0.005	0.06 to 3.00	0.01	0.3 to 16.0	0.1

Note: Please consult factory on applications for Helium and Hydrogen.